

SC-3X DIN 72 X 72 series MULTI - FUNCTION COUNTER



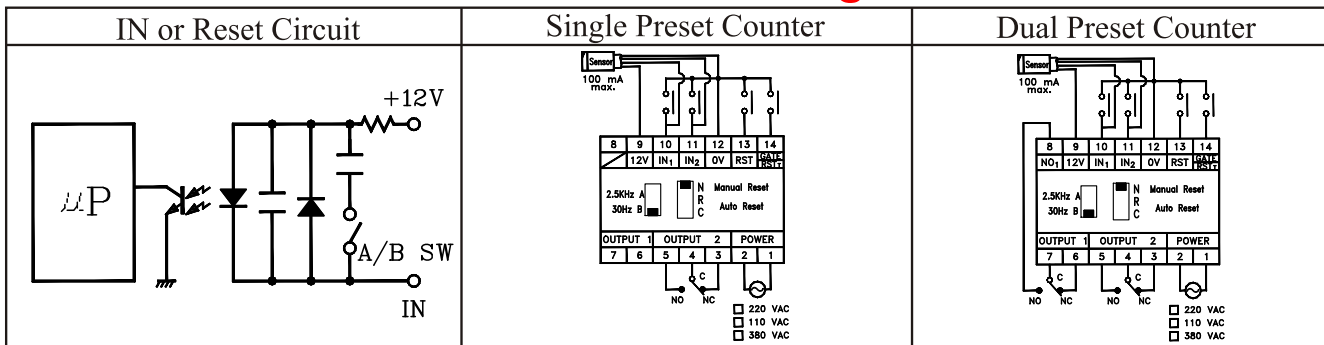
- ☆ Multi-Function
 - Single or Two Phase Input Selectable.
 - Increase or Decrease Counting Selectable.
 - Decimal Point Selectable.
 - Preset Value < SV2 > Settable.
 - Divisor Range : 1~9999
 - Multiplier Range : 0.001~9.999
 - Output Delay Timer Range : 0.01~99.99S
- ☆ Comply With CE Certificate
 - EMC / EMI / ESD / LVD



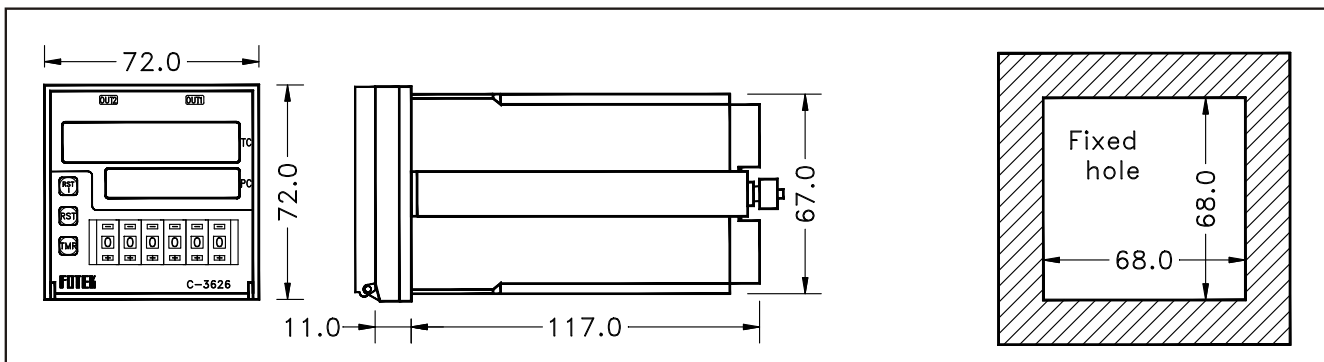
General Specification

Item	Data
Power Supply	110V or 220VAC $\pm 20\%$, 50/60 Hz , 5VA max. Selectable
DC Power Output	60mA / 12VDC Max.
Response Frequency	Speed <A> < 2.5K CPS , Low Speed < 60 CPS
Memory Method	EEPROM
Output Control	N / R / C Selectable
Contact Rated	5A / 250 VAC Max.
Output Delay Timer	Auto Reset Timer Range : 0.01S~99.99S
Divisor	Range : 1~9999
Multiplier	Range : 0.001~9.999
ESD Strength	Over 8 KV
Dielectric Strength	Over 2.5 KV / 1min , Between Power And Each Terminal
Isolation Strength	Over 100M Ω /500VDC , Between Power And Each Terminal
Operating Temp./Hum.	-20 $^{\circ}$ C ~ +80 $^{\circ}$ C ; 35% ~ 85% RH

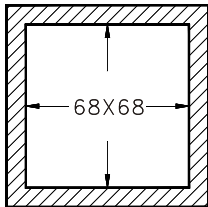



Interface Circuit & Connection Diagram



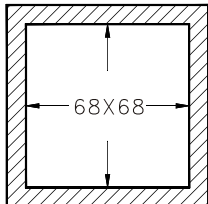



Outline Dimension & Fixed Hole



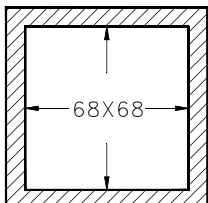



Single Preset Counter / Preset & Total Counter

Model	SC-341	SC-361	SC-3616
Fixed Hole 			
Input Method	Single Phase or Two Phase		Selectable
Counting Method	Increasement or Decreasement Counting		Increasement
Output Method	One Relay		

Dual Preset Counter

Model	SC-342	SC-362	SC-352
Fixed Hole 			
Input Method	Single Phase or Two Phase		Selectable
Counting Method	Increasement or Decreasement Counting		Selectable
Output Method	Two Relay		

Dual Preset & Total Counter / Twin Counter

Model	SC-3526	SC-3626	SC-326
Fixed Hole 			
Input Method	Single Phase or Two Phase		Selectable
Counting Method	Increasement Counting		
Output Method	Two Relay		

☆SC-326 : Counter #1 Output Auto Reset (C) Standard.
Counter #2 is Batch Counter Available.

■ Inner DIP Switch

Preset Counter

Nr.	Function
1	ON : Two Phase Input
	OFF : Single Phase Input
2	ON : Decreasement Counter
	OFF : Increasement Counter
3	ON : Multiplier
	OFF : Divisor
4	ON : Setting of Divisor or Multiplier
	OFF : Counting Status

Preset & Total Counter.

Nr.	Function
1	ON : Two Phase Input
	OFF : Single Phase Input
2	ON : Total Counter is Batch Counter
	OFF : Total Counter is Synchronous Counter
3	ON : Multiplier
	OFF : Divisor
4	ON : Setting of Divisor or Multiplier
	OFF : Counting Status




■ A/B Slide Switch

Counting	Hi → Lo , L<2V , 6V<Hi<30V
A	2.5K CPS Max.
B	60 CPS Max.

■ Selecting of Decimal Point

Push The  &  Key Meamwhile
To Select The Decimal Point

■ Setting of Delay Time (t)

Push The  Key To Set Timer.
Push The  Key To Increase The Delay Time
Push The  Key To Decrease The Delay Time

■ Selecting of Divisor or Multiplier

Divisor : The Inner DIP Switch #3 Set At "OFF" Position < Range : 1~9999 >

Multiplier : The Inner DIP Switch #3 Set At "ON" Position < Range : 0.001~9.999 >

Set The Inner DIP Switch #4 To "ON" Position,

Push The  Key To Increase The Value of Divisor or Multiplier.

Push The  Key To Decrease The Value of Divisor or Multiplier.

After Finishing Setting, Please Set The Inner DIP Switch #4 To "OFF" Position.

■ Setting of The Preset Value <SV₁>

Push The  Key To Set The SV₁.

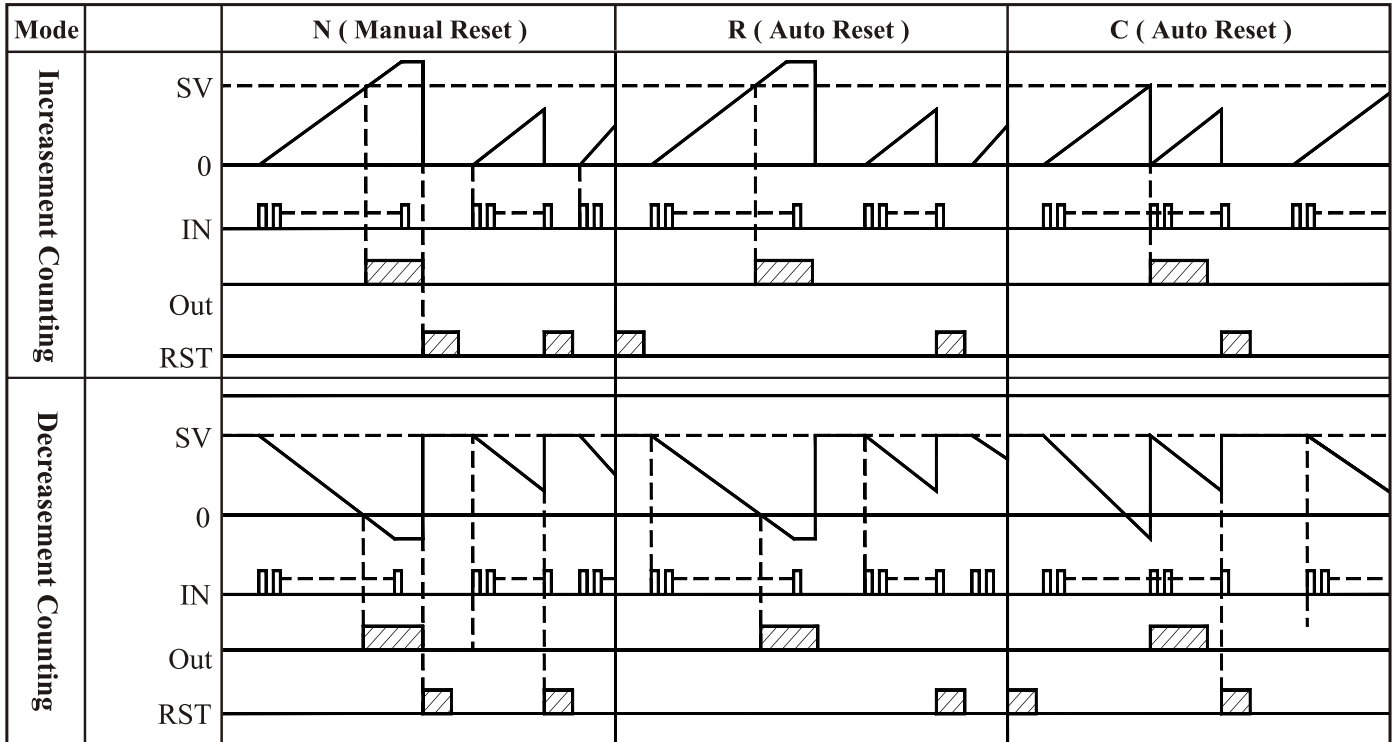
Push The  Key To Increase The Preset Value of SV₁

Push The  Key To Decrease The Preset Value of SV₁

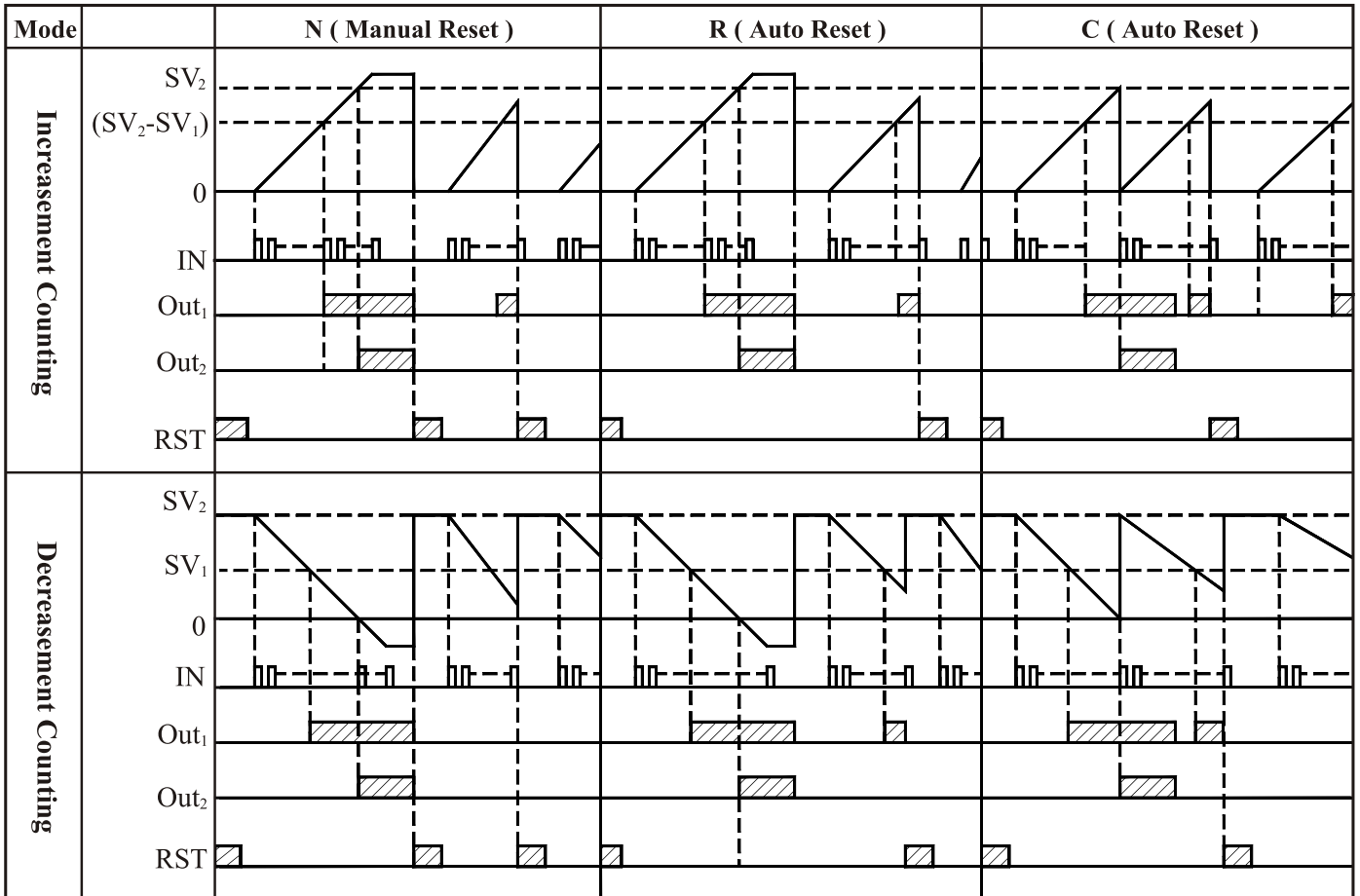


Output Timing Chart < N / R Control >

Single Preset Counter



Dual Preset Counter



Remarks : SV or SV₂ Are Main Preset Value.

☆Counter

- Single phase Input .
- Decimal Point Selectable .
- Dual Preset Counter .
- Divisor Range : 1 ~ 9999
- Multiplier Range : 0.001 ~9.999
- Increasement Counter or Decreasement Counter Selectable .

☆RPM or Line Speed Meter

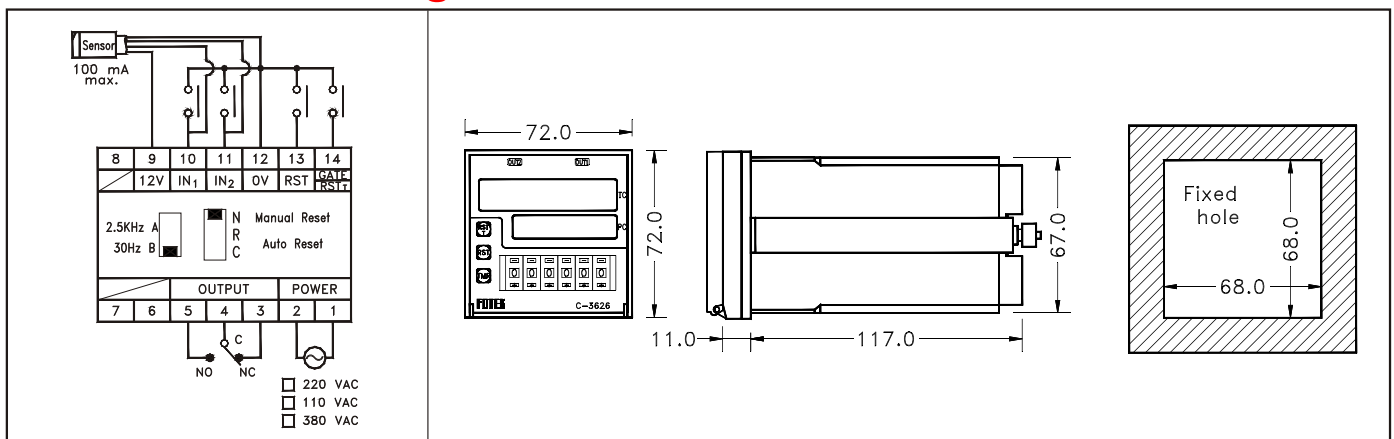
- Pulses per Revolution Settable
- Sampling Time Settable .
- Decimal Point Auto Shift .



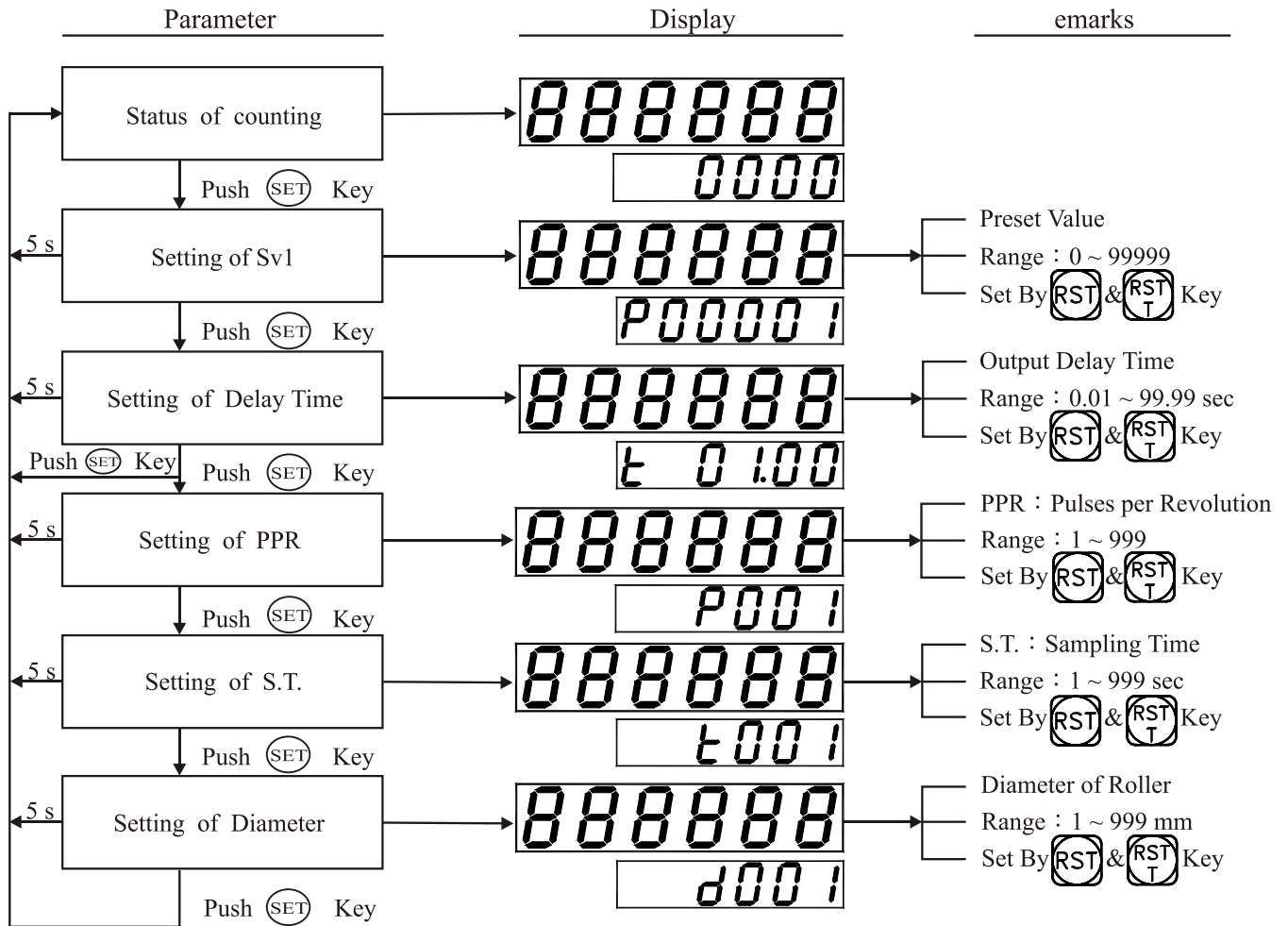
■ Specification

Type	Counter & RPM	Counter & Line Speed Meter
Model	SC-362M	SC-362Ma
Power Supply	110V / 220VAC ±20% , 50Hz	
DC Power Output	12VDC / 60mA Max.	
Unit	Revolutions per Minute	Meter per Minute
Sampling Time(S.T.)	1 ~ 99 Sec Settable	
Pulse Per Revolution(PPR)	1 ~ 999 PPR Settable	
Decimal Point	Auto Shift	
Output Control	N / R / C Selectable , Range of Timer (t) : 0.01S ~99.99S	
Response Frequency	High Speed < 2.5K Hz ; Low Speed < 30Hz	
Divisor / Multiplier	Divisor Range : 1 ~ 9999 / Multiplier Range : 0.001 ~ 9.999	
Memory Method	EEP ROM	
ESD Resistance	Over 8KV	
Dielectric Strength	Over 2.5 KV / 1 min , Between Power And Each Terminal	
Isolation Strength	Over 500MΩ/500VDC , Between Power And Each Terminal	
Operating Temp./Hum.	-20°C ~ +80°C ; 35 ~ 85% RH	
Weight		

■ Connection Diagram & Dimension

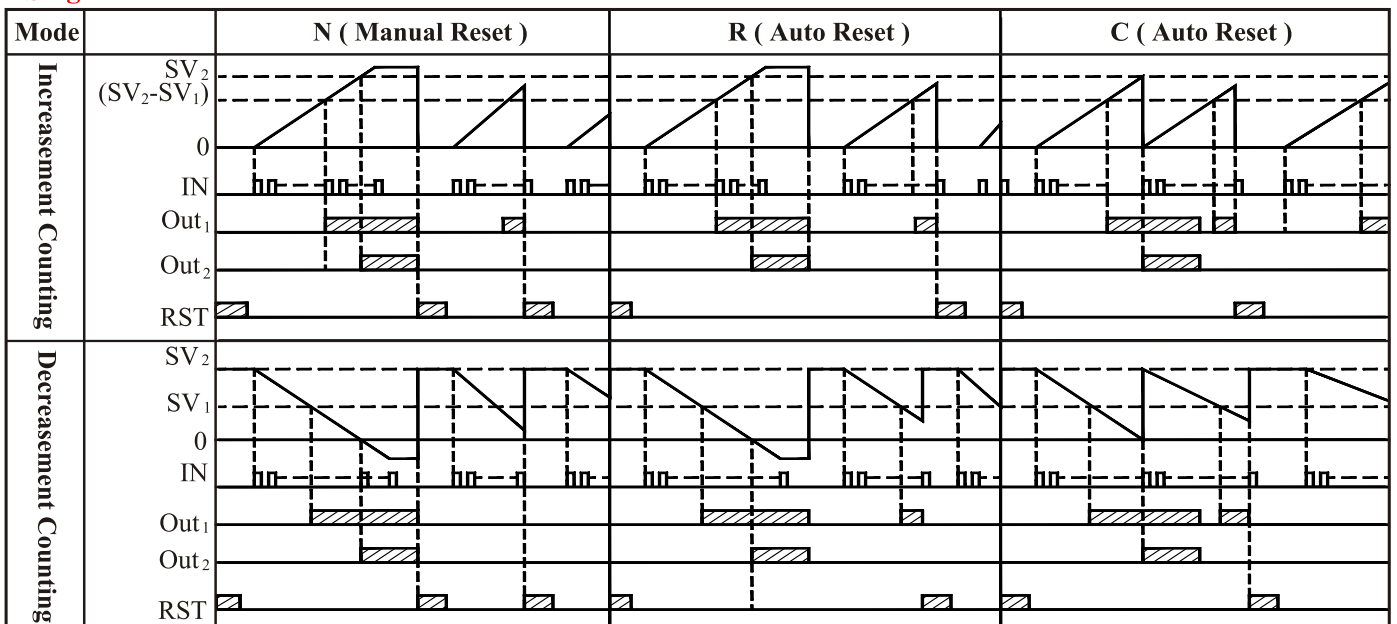


Setting of Parameter



N / R / C Output Control

Single Preset Counter



Remarks : SV₂ is Main Preset Value.

SC-26X series

DIN 96x48 MULTI - FUNCTION COUNTER



☆ Multi-Function

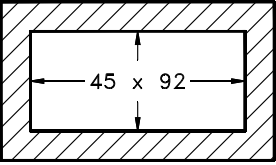


- Single or Two Phase Input Selectable.
- Incrementation or Decreasement Counting Selectable.
- Decimal Point Selectable.
- Divisor Range : 1~9999 — Multiplier Rang
- Output Delay Timer Range : 0.01~99.99S

☆ Comply With CE Certificate

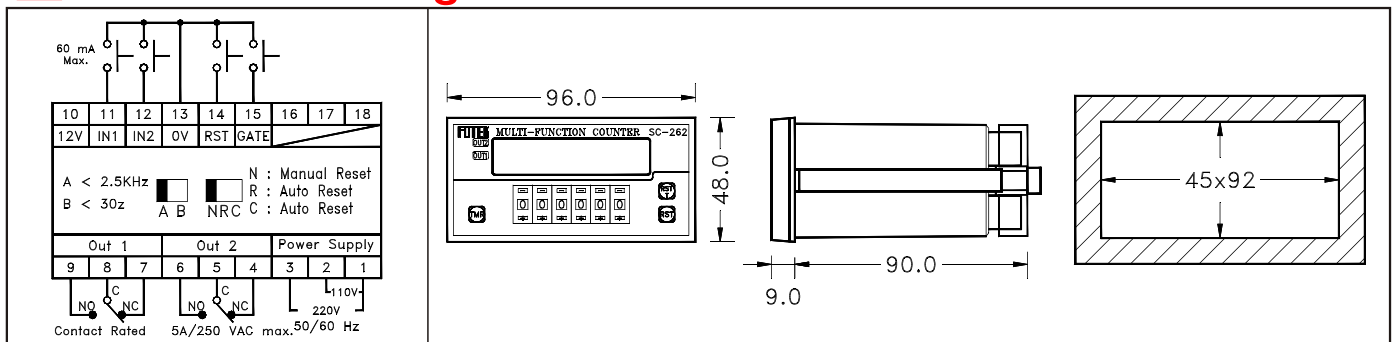
- EMC / EMI / ESD / LVD



■ General Specification

Type	Total Counter	Single Preset Counter	Dual Preset Counter
Model	SC-260	SC-261	SC-262
Fixed Hole			
Power Supply	110V / 220VAC ± 20% , 50/60 Hz		
DC Power Output	12V / 60mA max.		
Input Method	Single or Two Phase Input Selectable		
Counting Method	Incrementation or Decreasement Counting Selectable		
Response Frequency	High Speed <A> < 2.5K CPS , Low Speed < 60 CPS		
Output Method	One Relay		Two Relay
Output Control	N / R / C		Selectable
Contact Rated	5A / 250 VAC Max.		
Output Delay Timer	0.01S~99.99S		
Divisor	Range : 1~9999		
Multiplier	Range : 0.001~9.999		
Memory Method	EEPROM		
ESD Strength	Over 8 KV		
Dielectric Strength	Over 2.5 KV / 1min , Between Power And Each Terminal		
Isolation Strength	Over 100MΩ/500VDC , Between Power And Each Terminal		
Operating Temp./Hum.	-20°C ~ +80°C ; 35% ~ 85% RH		

■ Connection Diagram & Dimansion



Inner DIP Switch

Nr.	Function
1	ON : Two Phase Input
	OFF : Single Phase Input
2	ON : Decreasement Counter
	OFF : Increasement Counter
3	ON : Multiplier
	OFF : Divisor
4	ON : Setting of Divisor or Multiplier
	OFF : Counting Status

A/B Slide Switch

Counting	Hi → Lo , L<2V , 6V<Hi<30V
A	2.5K CPS Max.
B	60 CPS Max.

Selecting of Decimal Point

Push The & Key
To Select The Decimal Point

Setting of Delay Time (t)

Push The Key 2 Secretary,
Push The Key To Increase The Delay Time
Push The Key To Decrease The Delay Time

Selecting of Divisor or Multiplier

Divisor : The Inner DIP Switch #3 Set At "OFF" Position < Range : 1~9999 >

Multiplier : The Inner DIP Switch #3 Set At "ON" Position < Range : 0.001~9.999 >

Set The Inner DIP Switch #4 To "ON" Position,

Push The Key To Increase The Value of Divisor or Multiplier.

Push The Key To Decrease The Value of Divisor or Multiplier.

After Finishing Setting, Please Set The Inner DIP Switch #4 To "OFF" Position.

Setting of The Preset Value(SV₁)

Push The Key To Set The SV₁.

Push The Key To Increase The Preset Value of SV₁

Push The Key To Decrease The Preset Value of SV₁